

A detailed technical line drawing of a surgical table mechanism, showing various components like beams, joints, and a hand crank. The drawing is composed of thin black lines on a white background. A red rectangular box with a clipped top-left corner is overlaid on the center of the drawing.

SAMAR ACTIN TECHNICAL CATALOGUE

SURGICALTABLE
ENGLISH VERSION, 2019



CRITERION FOR QUALITY

Samar is constantly working on its development and perfection so Samar teams try to satisfy the clinical needs with their technological, innovative products designed with the highest reliability. The continuing and increasing staff turnover in the operating room inspired Samar to create an operating table with high technology and powerful performances and at the same time easy to use and whose functions are easy to comprehend. Close collaboration with the surgical world and attention to each detail are essential parts of our final success.



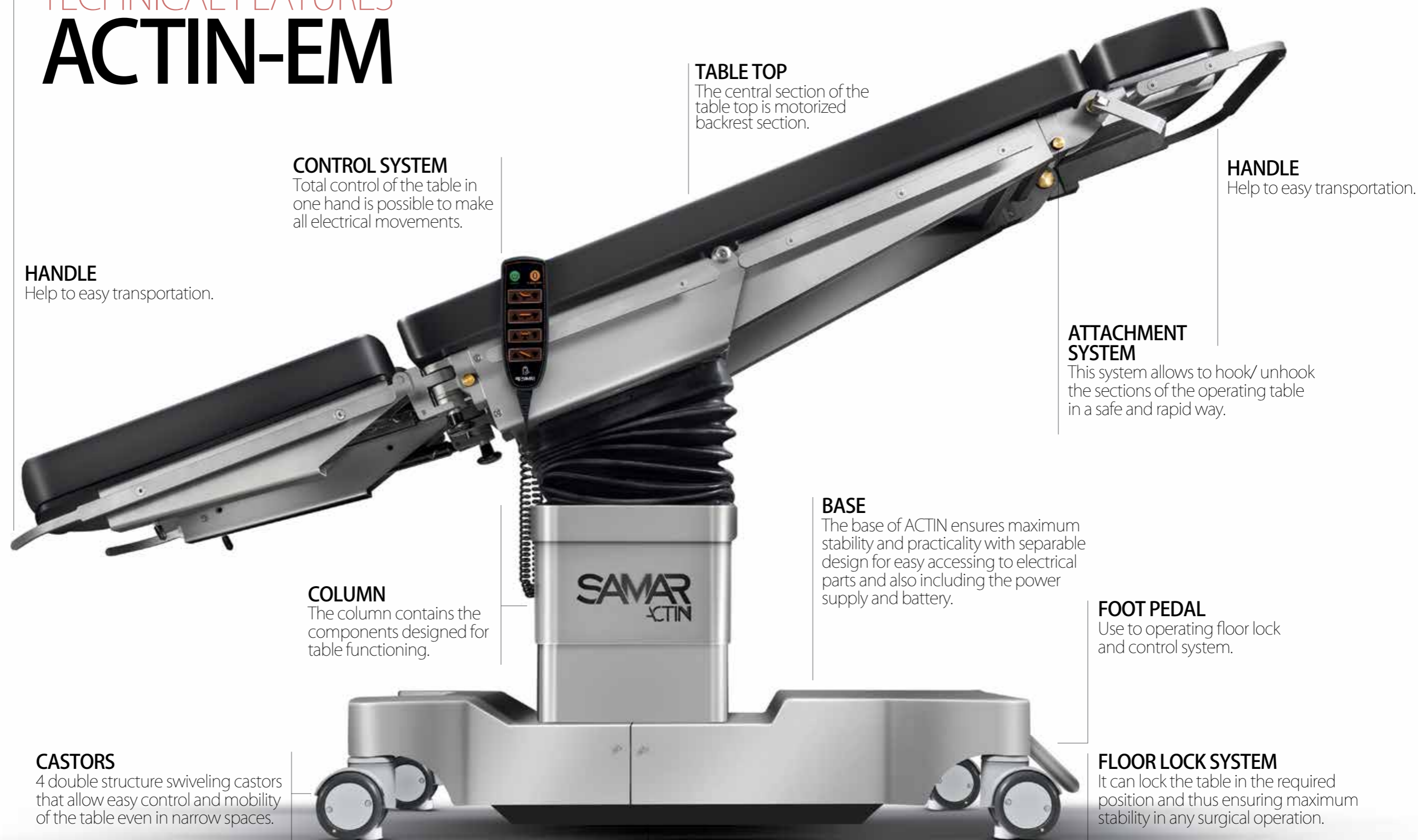


SURGICAL TABLE **ACTIN**

The ACTIN EM-Series has been designed to meet a wide range of patient positioning.

TECHNICAL FEATURES

ACTIN-EM



CONTROL SYSTEM

Total control of the table in one hand is possible to make all electrical movements.

TABLE TOP

The central section of the table top is motorized backrest section.

HANDLE

Help to easy transportation.

HANDLE

Help to easy transportation.

ATTACHMENT SYSTEM

This system allows to hook/ unhook the sections of the operating table in a safe and rapid way.

COLUMN

The column contains the components designed for table functioning.

BASE

The base of ACTIN ensures maximum stability and practicality with separable design for easy accessing to electrical parts and also including the power supply and battery.

FOOT PEDAL

Use to operating floor lock and control system.

CASTORS

4 double structure swiveling castors that allow easy control and mobility of the table even in narrow spaces.

FLOOR LOCK SYSTEM

It can lock the table in the required position and thus ensuring maximum stability in any surgical operation.

TECHNICAL DATA

ACTIN-EM

DIMENSION/ WEIGHT

- Overall length with head plate 2110 mm
- Width 530 mm (600 mm over the side rails)
- Floor clearance 20mm
- Patient weight capacity 250 kg

ADJUSTMENT RANGES

- Height (with mattresses) 1025- 725 mm
- Trendelenburg /Reverse Trendelenburg 30°/30°
- Lateral tilt (right / left) 20°/20°
- Back section (up / down) 70°/35°
- Leg section (up / down) 45°/90°
- Head section (up / down) 90°/45°
- Abduction position 90°
- Flex / Reflex 110°/145°

SPECIFICATION

- 4 Antistatic double structure 125 mm castors
- 4 Central floor lock system
- With half position system in Trend./Rev .Trend and Tilt movement
- X-Ray cassette holder
- Anti-Statistic mattresses
- Table top material is carbon fiber
- Base material stainless steel 304
- Battery capacity 5 working days
- Primary voltage 220V

ACCESSORIES

- Arm support
- Anesthetic separator
- knee support
- Drainage bowl adapter



The ACTIN surgical table EM 142.1 complies with the following standards:
IEC 60601-1, IEC 60601-2-46

SURGICAL TABLE **ACTIN-EM 242**

A different type of ACTIN series surgical table called Actin EM 242 , despite the beauty and quality of appearance it looks similar to Actin EM and the performance range is for general surgery .
One of the prominent feature of Actin EM 242 is its being economical for medical center with little funding.



SURGICAL TABLE ACTIN-EM 242

DIMENSION/ WEIGHT

- Overall length with head plate 2174 mm
- Width 530 mm (600 mm over the side rails)
- Floor clearance 20mm
- Patient weight capacity 250 kg

ADJUSTMENT RANGES

- Height (with mattresses) 1025- 725 mm
- Trendelenburg /Reverse Trendelenburg 30°/30°
- Lateral tilt (right / left) 20°/20°
- Back section (up / down) 70°/35°
- Leg section (up / down) 45°/90°
- Head section (up / down) 45°/45°
- Abduction position 90°
- Flex / Reflex 110°/145°

SPECIFICATION

- 2 Internal castors with 50 diameters
- 2 Internal castors with 75 diameters
- 4 Central floor lock system
- With half position system in Trend./Rev .Trend and Tilt movement
- X-Ray cassette holder
- Anti-Statistic mattresses
- Table top material is carbon fiber
- Base material stainless steel 304
- Battery capacity 5 working days
- Primary voltage 220V

ACCESSORIES

- Arm support
- Anesthetic separator
- knee support
- Drainage bowl adapter

The ACTIN surgical table EM 242 complies with the following standards :
IEC 60601-1 , IEC 60601-2-46



COMPRATIVE TABLE & TECHNICAL DRAWING

EXTREME POSITINS WITH SIMPLICITY



SPECIAL FEATURES	ACTIN EM 142.1	ACTIN EM 142	ACTIN EM 242	ACTIN EM 242.1
Max. Height	1024mm	1024mm	1024mm	1024mm
Min. Height	725mm	725mm	725mm	725mm
Trend. / Rev. Trend.	±30	±30	±30	±30
Lateral Tilt	±20	±20	±20	±20
Segments	6	6	6	6
Width	600mm	600mm	600mm	600mm
Length	2110mm	2174mm	2174mm	2110mm
Back rest up/down	-35 /+70	-35 /+70	-35 /+70	-35 /+70
Leg rest up/down	-90 /+45	-90 /+45	-90 /+45	-90 /+45
Head rest up/down	-45/+90	±45	±45	-45/+90
X.RAY platform	YES	YES	YES	YES
Detachable Antistatic Mattress	YES	YES	YES	YES
Double Antistatic Castors	YES	YES	NO	NO
4 Central floor lock system	YES	YES	YES	YES
Head rest angel adjustable by gear clamp system	YES	No	NO	YES
Head rest angel adjustable by gear clamp system	NO	YES	Yes	No

ACCESORIES



Multi position clamp

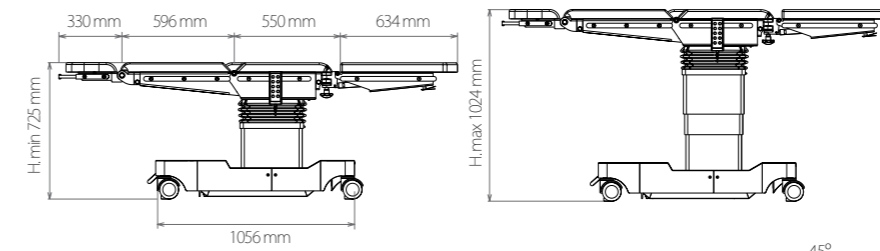
One position clamp

Arm support

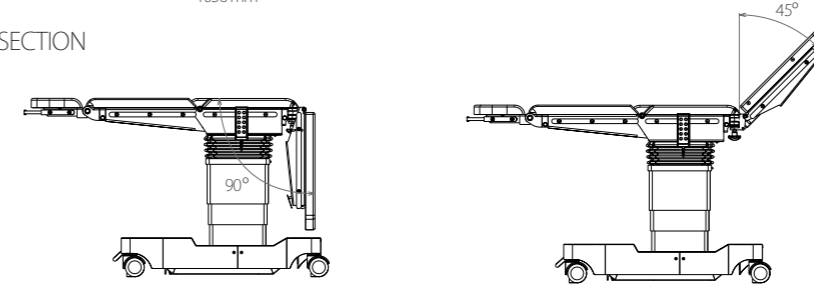
Anesthesi accessory

Knee support

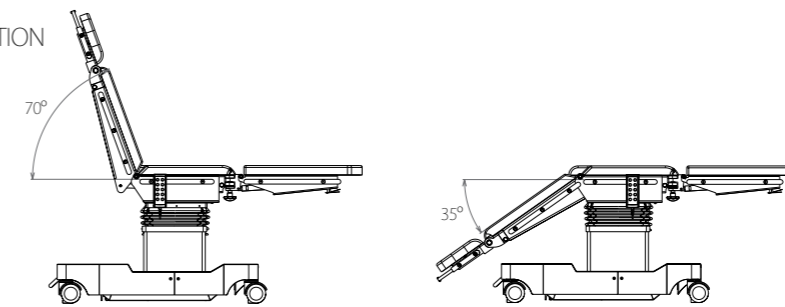
HEIGHT/DIMENSION



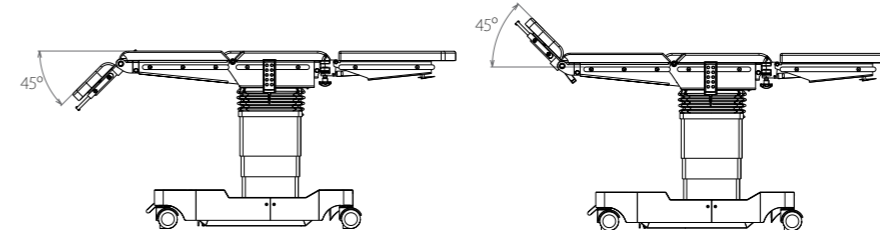
LEG SECTION



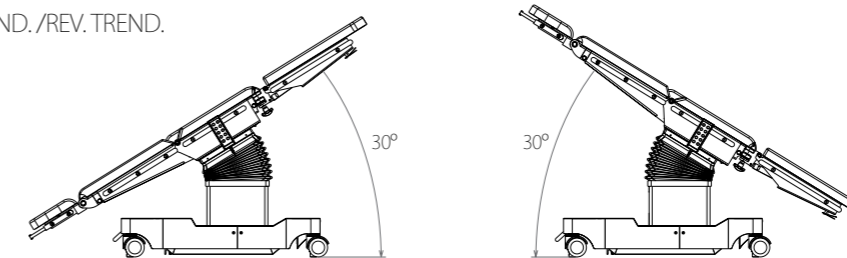
BACK SECTION



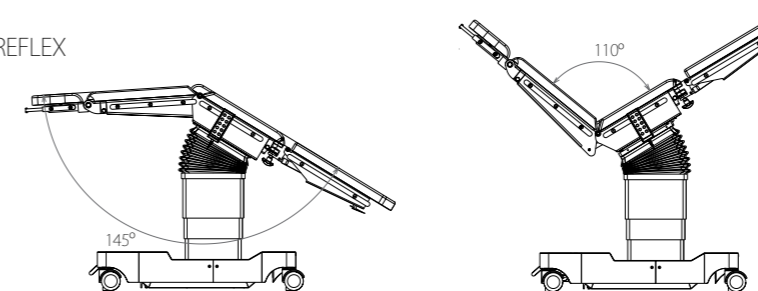
HEAD SECTION



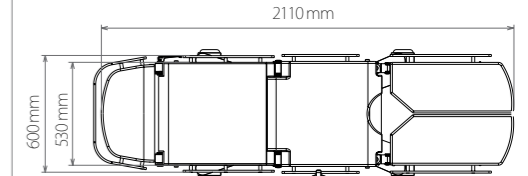
TREND. /REV. TREND.



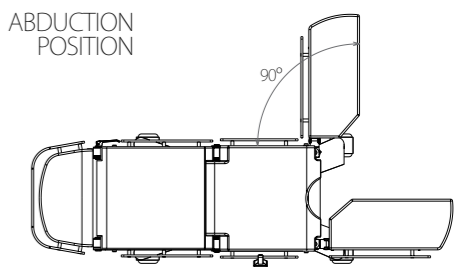
FLEX /REFLEX



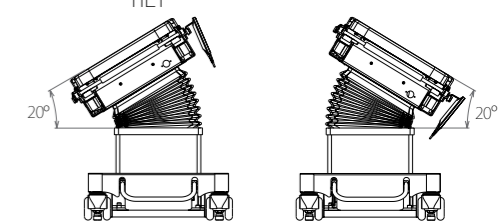
DIMENSION



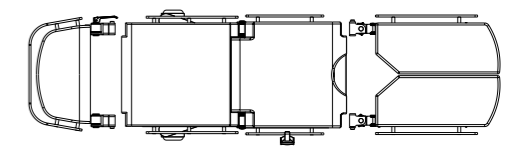
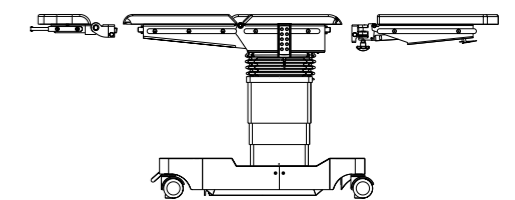
ABDUCTION POSITION



LATERAL TILT



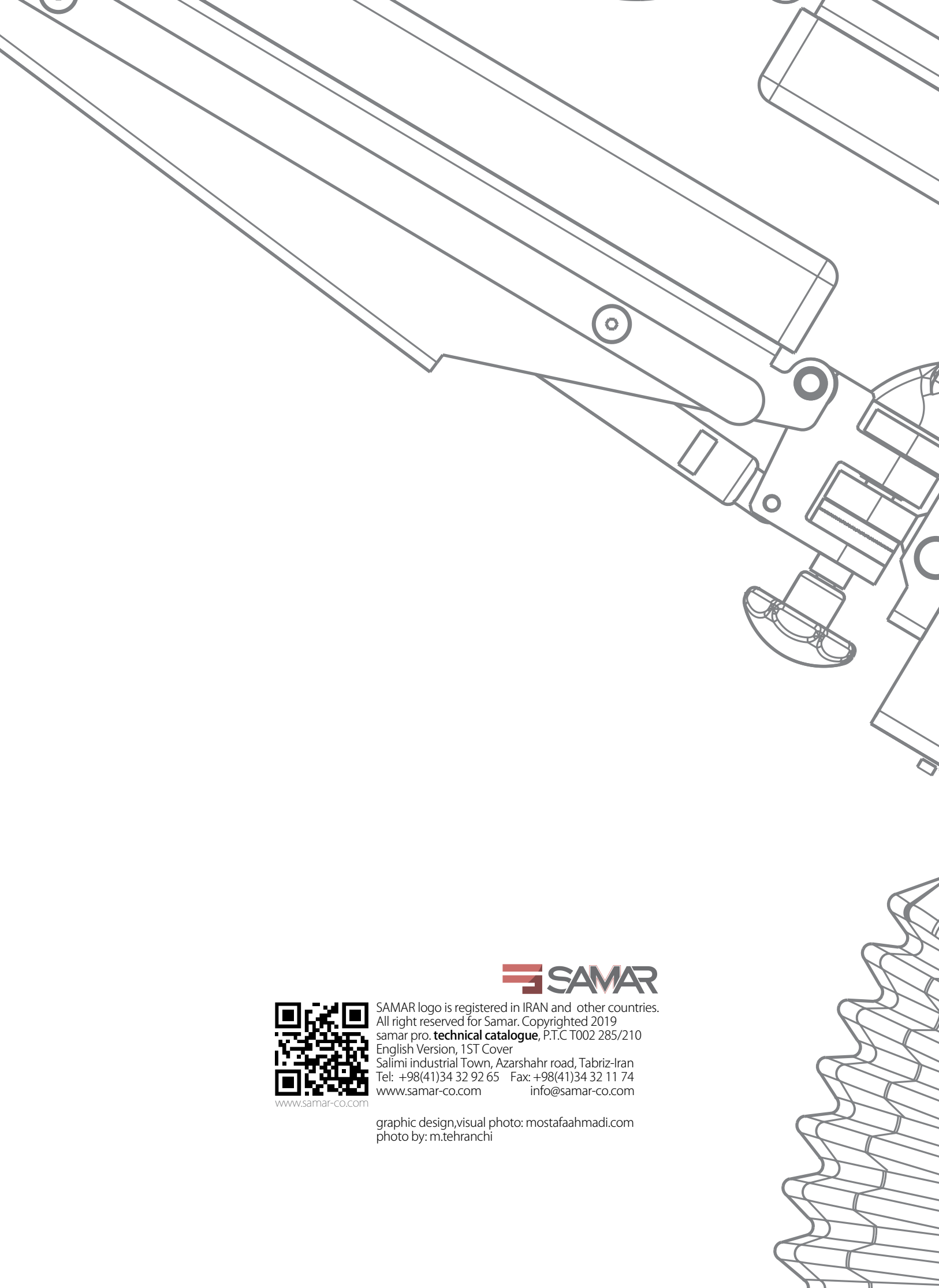
ATTACHMENT SYSTEM



Tolerance +/- 2° on angular movements and +/- 3mm on linear movements.



With ACTIN EM-Series has brought new innovation to the market. Elevating standards for surgeons and nurses the overall patient care. The ACTIN EM-Series tables focus on multiple patient positioning options, accommodating a continues change of standards.



www.samar-co.com

SAMAR logo is registered in IRAN and other countries.
All right reserved for Samar. Copyrighted 2019
samar pro. **technical catalogue**, P.T.C T002 285/210
English Version, 1ST Cover
Salimi industrial Town, Azarshahr road, Tabriz-Iran
Tel: +98(41)34 32 92 65 Fax: +98(41)34 32 11 74
www.samar-co.com info@samar-co.com

graphic design,visual photo: mostafaahmadi.com
photo by: m.tehranchi

